



PE74 Series

Push To Reset Only

Thermal Circuit Breaker

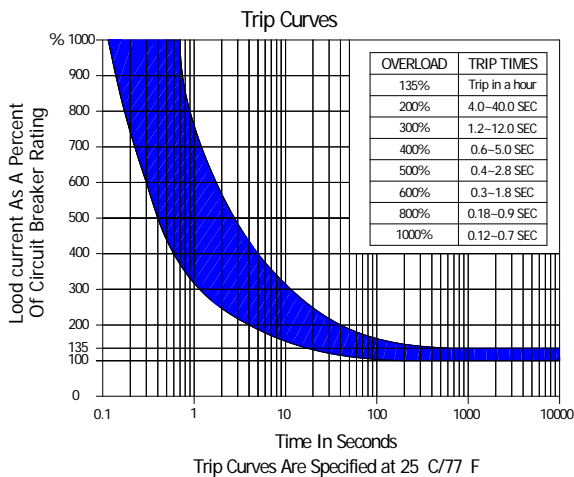
Features

- New compact design
- 3 to 40 amp ratings.
- Cannot be manually tripped
- Button extends for visual trip indication
- Push button to reset breaker
- Numerous mounting and termination options.

Technical data

Rated voltage	AC 125/250V DC 50V
Rated current	3-40 A
Interrupt Capacity	1000A (UL 1077)
Dielectric strength	AC 1500V (1 min)
Insulation resistance	≥ 100 MΩ, 500VDC
Resettable Overload Capacity	Ten times rated current
Weight	Approx 25.0g (0.9 oz.)

Time vs. Current Trip Curve @ +25°C



Approval

Approval & File No.	Rated current range	Rated voltage
VDE 40004951	5-20A	250VAC
CCC 2003010307097859	5-30A	125/250VAC
CSA LR65090	5-30A	125VAC, 50VDC
UL/CUL E95802	3-40A	125/250VAC, 50VDC

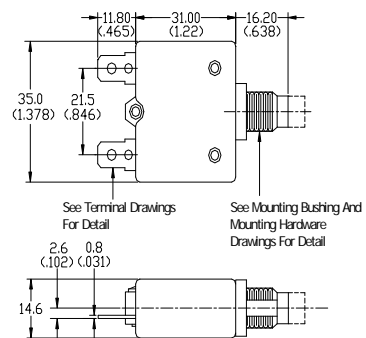
Typical Resistance vs. Current Rating @ +25°C

Current Rating in Amps	Typical Resistance in Ohms	Current Rating in Amps	Typical Resistance in Ohms
5.0	0.052	15.0	0.017
6.0	0.042	20.0	0.012
7.0	0.036	25.0	0.010
8.0	0.031	30.0	0.008
10.0	0.025	35.0	0.007
12.0	0.021	40.0	0.006

Mechanical/Environmental Data

Operating Temperature Range: -10°C to +60°C
 Termination: 250" (6.35mm) quick connects or solder terminals
 Mounting: Various options. See Ordering Information and drawings

Outline Dimensions



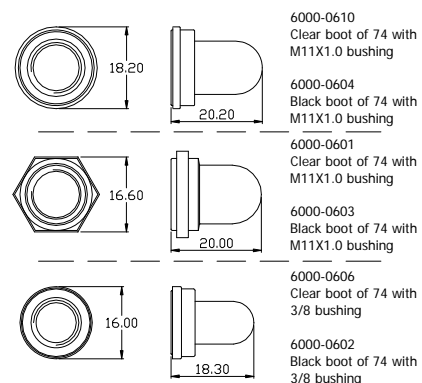
Ambient Compensation Table

Capacity Correction Factors For Ambient Temperatures								
Current Rating	Temperature							
	°F	+50	+68	+77	+86	+104	+122	+140
Amps	°C	+10	+20	+25	+30	+40	+50	+60
3 to 8A		.90	.98	1.00	1.10	1.25	1.61	2.00
9 to 40A		0.8	0.9	1.00	1.05	1.15	1.31	1.55

The unit is calibrated for ambient temperature of +25°C. To determine the rated current for a lower or higher ambient Temperature, use a correction factor as above.

Optional Protective Boot

Silicone rubber boot to integral metal nut



Ordering Information

Typical Part No. ►

74 04 -3 1 4 2 -2 4 1

1. Model No:

PE74

2. Rating:

03=3A、04=4A ...30=30A、40=40A

3. Voltage:

3=125VAC/250VAC/50VDC

4. Button:

1= Black 2= White 9=Red D= Black With Rate Marking (Vertical)
E= Black With Rate Marking (Horizontal)

5. Bushing:

5.1. Metal : A=A Type B=B Type C=C1 Type D=D Type

5.2. Plastic : 5=A Type 7=C1 Type 9= Snap In II

6. Terminal:

1=.250Tab Straight 2=.250Tab Bend 45° 3=.250 QC Terminal 6=.250 Tab Bend 90°
D=M4 Screw Bend 90°

7. Nameplate:

0=None 1=Embossed Aluminum 2=Silver Printing On Black 3= Black Printing On Silver

8. Mounting Hardware

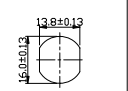
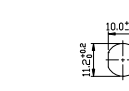

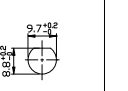
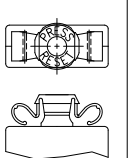
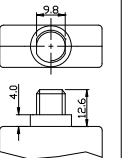
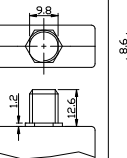
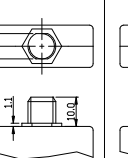
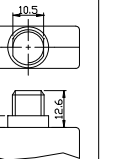
8.1. Metal : 2= Two Knurlnut(Thick 2.6mm) 4=Knurlnut(Thick 2.6mm) 6= Hex Nut
9= Hex Nut And Knurlnut(Thick 2.6mm) A=Hex Nut And Integrated Knurlnut W/Small Hole
C= Two Hex Nut E=Knurlnut(Thick 2.6mm) And Hex Nut

8.2. Plastic: 7=Integrated Knurlnut

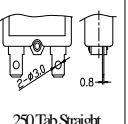
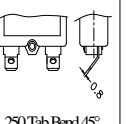
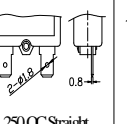
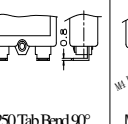
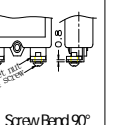
9. Hardware Packaging

0=Assembled To Bushing 1=Bulk

Mounting Bushings and Recommended Panel Cutouts

 Panel Hole	 Panel Hole	 Panel Hole	 Panel Hole
 Snap In II	 M11X1.0 A Type	 M11X1.0 B Type	 3/8-24 UNF
Snap In II	A Type	B Type	C1 Type
			 M12X1.0 D Type

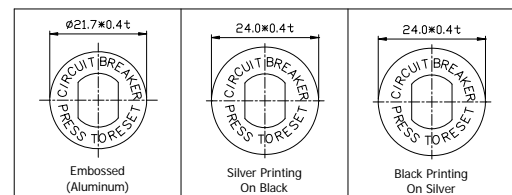
Terminal Types

 .250 Tab Straight	 .250 Tab Bend 45°	 .250 QC Straight	 .250 Tab Bend 90°	 M4 Screw Bend 90°
1	2	3	6	D


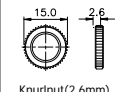
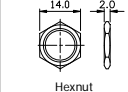
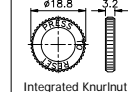
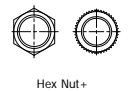


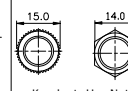
Ordering Note:

Options denoted by "Special Order" in their descriptions are only offered on a special order basis. Other base and button colors and intermediate Amp ratings are also available on a special order basis. Due to ongoing technological advances, consult factory for certification specifics

Optional Nameplates



Mounting Hardware options

 Knurlnut (2.6mm)	 Knurlnut(2.6mm)	 Hexnut	 Integrated Knurlnut
2	4	6	7
 Hex Nut + Knurlnut(2.6mm)	 Integrated Knurlnut W/ Small Hole + Hex Nut	 Hex Nut	 Knurlnut + Hex Nut
9	A	C	E