



MS Series Rocker-Actuated Cycling Trip-Free Cycling Thermal Circuit Breaker/ Power Switch With Option Indicator Lamp Multiple Patent

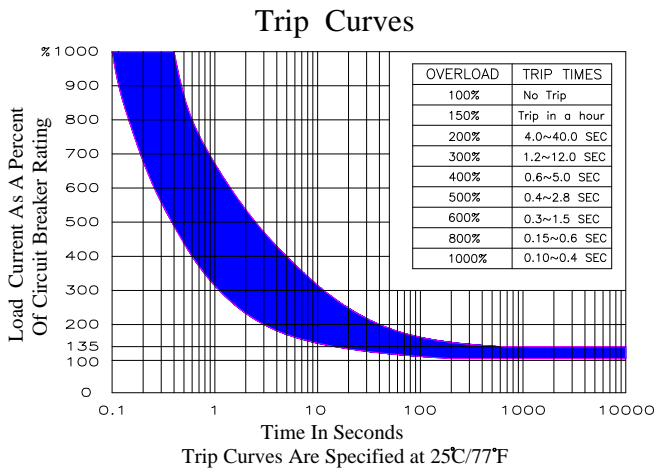
Features

- Compact, cycling trip-free cycling, rocker-actuated design.
- 5 to 16 amp ratings.
- Provides circuit protection and power switching in a single unit.
- Available with optional indicator lamp.
- knock-down wing.
- Various color, marking and termination options.

Technical data

Rated voltage	AC250(5-16A), AC 125(17-20A)
Rated current	5~16 A
Interrupt Capacity	1000A 250VAC (UL1077)
Dielectric strength	AC 1500V (1min)
Insulation resistance	≥ 100 MΩ, 500VDC
Resettable Overload Capacity	Ten times rated current
Switch Endurance Cycling	Over 6,000 operations
	at rating current
Weight:	Approx 9.5g

Time vs. Current Trip Curve@+25°C



Ambient Compensation Table

Ambient Temperature In °C	Rating Correction Factor	
	5-6A Models	7-16A Models
10	.90	.90
20	.97	.97
25	1.00	1.00
30	1.10	1.05
40	1.25	1.15
50	1.61	1.25

The unit is calibrated for an ambient temperature of +25°C. To determine the rated current for a lower or higher ambient temperature, use a correction factor to the left.

Approval

Approval & File No.	Rated current range	Rated voltage
UL\cUL E95802	5-16 A	125/250VAC
CCC 2007010307240052	5-16 A	125/250VAC

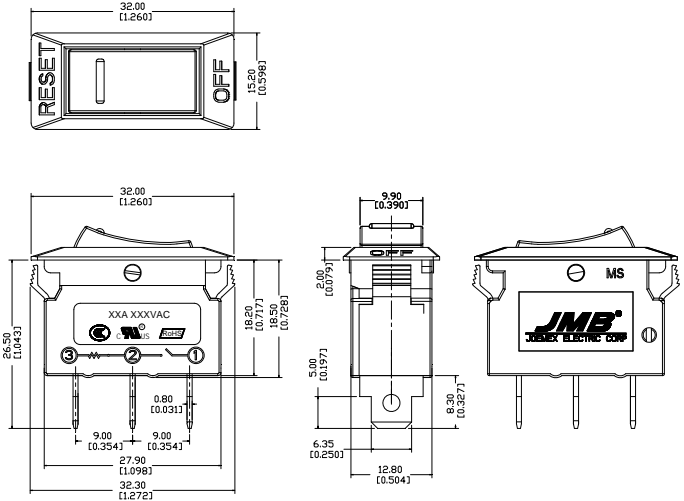
Typical Resistance vs. Current Rating @ +25°C

Current Rating in Amps	Typical Resistance in Ohms	Current Rating in Amps	Typical Resistance in Ohms
5.0	0.05	12.0	0.022
7.0	0.036	13.0	0.020
10.0	0.025	15.0	0.017

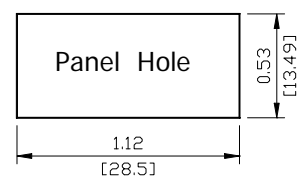
Mechanical/Environmental Data

Operating Temperature Range: -10 °C to +50 °C.
Termination: 250"(6.35 mm) quick connects or solder terminals
Mounting: Snaps into 1.122" x .531" (28.5 X 13.5) panel cutout .

Outline Dimensions



Recommended Panel Cutout



Panel thickness
MS series circuit breakers accommodate panel thickness from 0.03 in. to 0.10 in.(0.80mm-2.50mm)

Ordering Information

Typical Part No. **M S** **15-** **A** **1** **1** **1** **1-** **A** **1** **x**

1. Model NO:

MS=MS Non Illuminated MSL=Illuminated

2. Specify Amp Rating:

05=5A 06=6A --- 15=15A 16=16A

3. Voltage:

A=125AVC B=250VAC

4. Terminals:

1=A Type 2=B Type 3=C Type 4= D Type 5=E Type 7=G Type

5. Base Color:

1=Black 2=Amber 3=Gray

6. Cover Color:

1=Black 2=Amber 3=Gray

7. Rocker Color:

1=Transparent

8. Marking:

A=RESET/OFF molded

9. Wing:

1 =With Wings 2=Without Wings

10. Note:

x

Ordering Note:

Some option illustrated below are not listed in the "Ordering Information" chart above. Options denoted by "Special Order" in their descriptions are only offered on a special order basis. Other base and button colors and intermediate amp ratings are also available on a special order basis. Due to ongoing technological advances, consult factory for certification specifics.

Terminal Types:

Terminal						
	A Type	B Type	C Type	D Type	E Type	G Type

Marking Types:

