

83 SERIES

POWER SWITCHES

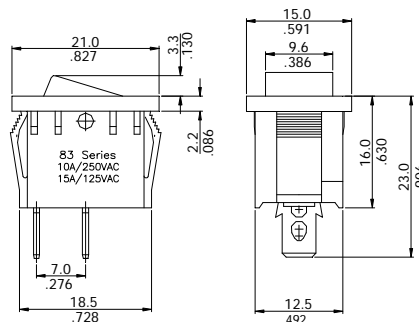
Features:

- Single pole
- Optional illumination
- .250 Tab or solder lug
- Variety body & rocker color

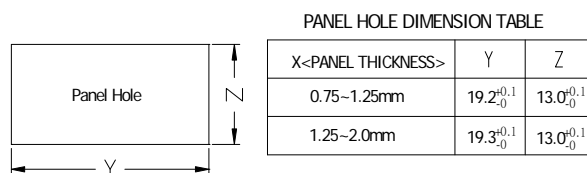
Technical data:

Rated current	15A/125VAC, 10A/250VAC
Dielectric Strength	1500VAC/1minute
Insulation Resistance	$\geq 100 \text{ M}\Omega$, 500VDC
Operational force	400~600g
Electrical Life	10^4 Cycles
Ambient temperature	-20°C ~ +85°C
Mounting Type	Snap - In
Agency Approval	UL, CSA, TUV, CQC

Outline Dimensions:



Recommended Panel Cutout:



Ordering Information:

1. Model No:
83

2. Switch Function:

1=ON-OFF 2=(ON)-OFF 3=ON-OFF-ON 4=(ON)-OFF-(ON) 5=ON-OFF-(ON)
6=ON-ON 7=(ON)-ON

3. Rating:

1= 2A/250VAC, 5A/125VAC 2=4A/250VAC, 8A/125VAC 3=6A/250VAC, 10A/125VAC
4=8A/250VAC, 13A/125VAC 5=6A/250VAC~ 6=10A/250VAC, 15A/125VAC

4. Terminal:

1=.187 Tab 2=Solder Lug

5. Case Color:

1= Black 2= White 3= Gray 4= Ivory

6. Rocker Color:

1=White 2= Black 3=Royal Blue 4=Red 5=Yellow 6=Gray

7. Marking Option:

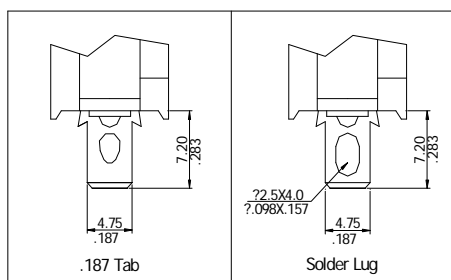
See Marking Drawing For Detail

Typical Part No. **83 1 1 -3 1 2 2**

Ordering Note:

Some option illustrated below are not listed in the "Ordering Information" chart above. Options denoted by "Special Order" in their descriptions are only offered on a special order basis. Other base and button colors and intermediate amp ratings are also available on a special order basis. Due to ongoing technological advances, consult factory for certification specifics.

Terminal Types:



Marking Options:

