

81 SERIES

POWER SWITCHES

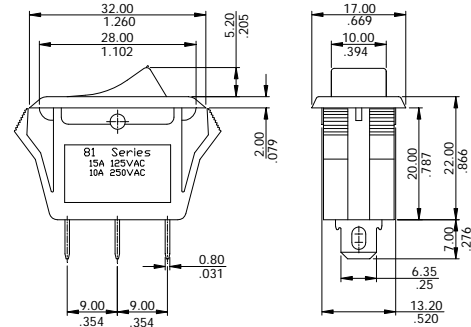
Features:

- Single pole
- Optional illumination
- .250 Tab or solder lug
- Variety body & rocker color

Technical data:

| | |
|-----------------------|------------------------|
| Rated current | 15A/125VAC, 10A/250VAC |
| Dielectric Strength | 1500VAC/1minute |
| Insulation Resistance | ≥ 100 MΩ, 500VDC |
| Operational force | 400~800g |
| Electrical Life | 10 ⁴ Cycles |
| Ambient temperature | -20°C ~ +85°C |
| Mounting Type | Snap - In |
| Agency Approval | UL, CSA, TUV, CQC |

Outline Dimensions:



Recommended Panel Cutout:

| Panel Hole | PANEL HOLE DIMENSION TABLE | | |
|------------|----------------------------|------------------------------------|------------------------------------|
| | X<PANEL THICKNESS> | Y | Z |
| | 0.75~1.25mm | 28.5 ^{+0.1} ₋₀ | 13.5 ^{+0.1} ₋₀ |
| | 1.25~2.0mm | 28.6 ^{+0.1} ₋₀ | 13.5 ^{+0.1} ₋₀ |
| | 2.0~3.0mm | 28.8 ^{+0.1} ₋₀ | 13.5 ^{+0.1} ₋₀ |

Ordering Information:

Typical Part No. ▶ **81 1 1 -3 1 2 2**

1. Model No:

81

2. Switch Function:

1=ON-OFF 2=(ON)-OFF 3=ON-OFF-ON

3. Rating:

1= 15A/125VAC, 10A/250VAC

4. Terminal:

1=.250 Tab W/ Divider 2=.250 Tab W/O Divider 3=Solder Lug W/ Divider 4=Solder Lug W/O Divider
 7=.250 QC W/ Divider 8=.250 QC W/O Divider

5. Case Color:

1= Black 2= White 3= Gray 4= Ivory

6. Rocker Color:

6.1. Clear Rocker: 1=Amber 2=Red 3=Green

6.2. Solid Rocker: 4=White 5=Black 6=Red

6.3. Solid Rocker W/Two Color: 7=Gray/Red 8=Black/Red 9=White/Red

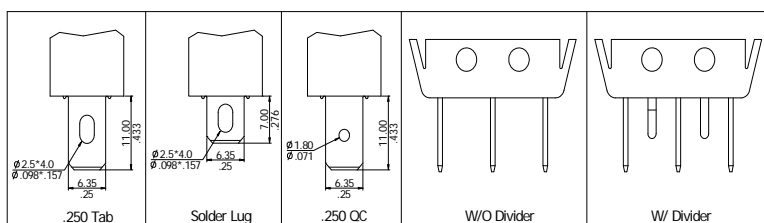
7. Marking Option:

See Marking Drawing For Detail

Ordering Note:

Some option illustrated below are not listed in the "Ordering Information" chart above. Options denoted by "Special Order" in their descriptions are only offered on a special order basis. Other base and button colors and intermediate amp ratings are also available on a special order basis. Due to ongoing technological advances, consult factory for certification specifics.

Terminal Types:



Marking Options:

