

## MS2 Series Rocker-Actuated, Cycling Trip-Free Thermal Circuit Breaker/ Power Switch With Option Indicator Lamp Multiple Patent

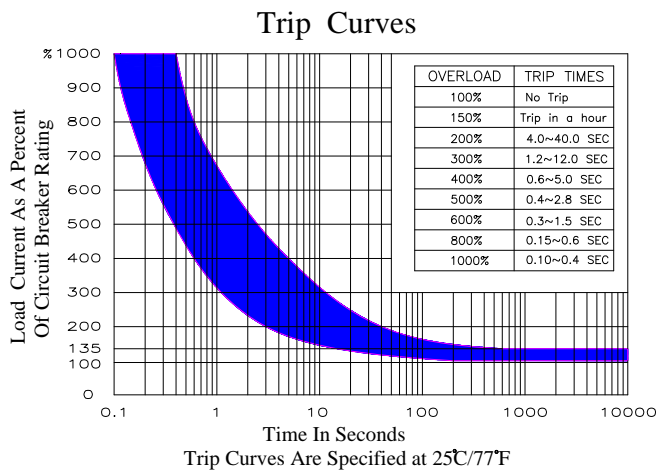
### Features

- Compact, Cycling trip-free, rocker-actuated design.
- 5 to 16 amp ratings.
- Provides circuit protection and power switching in a single unit.
- Available with optional indicator lamp.
- Various color, marking and termination options.

### Technical data

Rated voltage	AC 125/250V
Rated current	5~16 A
Interrupt Capacity	1000A 250V (UL1077)
Dielectric strength	AC 1500V (1min)
Insulation resistance	≥ 100 MΩ, 500VDC
Resettable Overload Capacity	Ten times rated current
Switch Endurance Cycling	Over 6,000 operations
	at rating current
Weight:	Approx 10.17g

### Time vs. Current Trip Curve@ +25°C



### Ambient Compensation Table

Ambient Temperature In °C	Rating Correction Factor	
	5-6A Models	7-16A Models
10	.90	.90
20	.97	.97
25	1.00	1.00
30	1.10	1.05
40	1.25	1.15
50	1.61	1.25

The unit is calibrated for an ambient temperature of +25°C. To determine the rated current for a lower or higher ambient temperature, use a correction factor to the left.

### Approval

Approval & File No.	Rated current range	Rated voltage
UL\cUL E95802	5-16 A	125/250VAC
CCC 2015010307749439	10 A	250VAC

### Typical Resistance vs. Current Rating @ +25°C

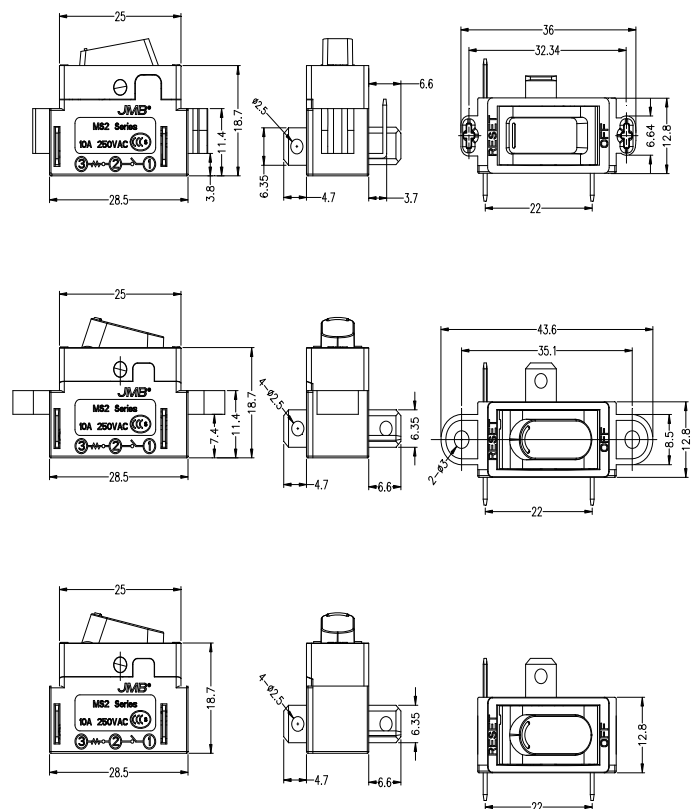
Current Rating in Amps	Typical Resistance in Ohms	Current Rating in Amps	Typical Resistance in Ohms
5.0	0.05	12.0	0.022
7.0	0.036	13.0	0.020
10.0	0.025	15.0	0.017

### Mechanical/Environmental Data

Operating Temperature Range: -10 °C to +50 °C.

Termination: 250"(6.35 mm) quick connects or solder terminals

### Outline Dimensions



## Ordering Information

Typical Part No. **▶**

**MS2 10- B 1 1 1 1- 1 A**

### 1. Model NO:

MS2=MS2 Non Illuminated MS2L=Illuminated

### 2. Specify Amp Rating:

05=5A 06=6A 07=7A --- 15=15A 16=16A

### 3. Voltage:

A=125AVC B=250VAC

### 4. Terminals:

1=A Type 2=B Type 3=C Type 4=D Type 5=E Type 6=F Type

### 5. Base :

1= A Type 2=B Type 3=C Type

### 6. Cover:

1= A Type 2=B Type

### 7. Rocker Color:

1= White r 2= Black

### 8. Rocker Type:

1= A Type 2=B Type

### 8. Note:

## Ordering Note:

Some option illustrated below are not listed in the "Ordering Information" chart above. Options denoted by "Special Order" in their descriptions are only offered on a special order basis. Other base and button colors and intermediate amp ratings are also available on a special order basis. Due to ongoing technological advances, consult factory for certification specifics.

## Terminal Types:

Terminal						
	1	2	3	4	5	6
	A Type	B Type	C Type	D Type	E Type	F Type

## Base Types:

1	2	3
A TYPE	B TYPE	C TYPE

## Cover Types:

1	2
A TYPE	B TYPE

## Rocker Types:

1	2
A TYPE	B TYPE