



## M2R Series Rocker-Actuated, Trip-Free Cycling Thermal Circuit Breaker/ Power Switch With Option Indicator Lamp Multiple Patent

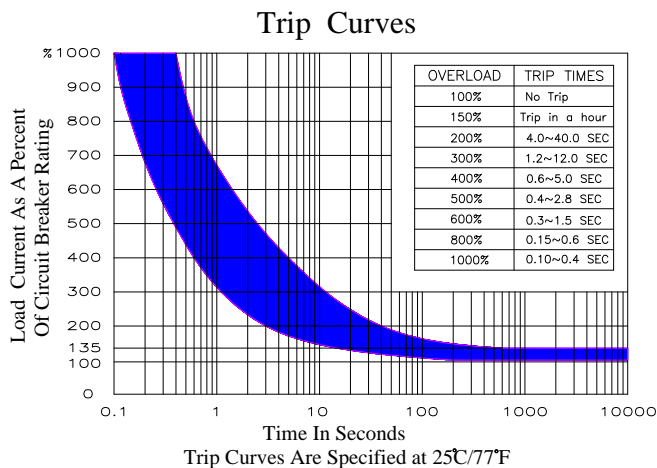
### Features

- Compact, trip-free cycling, rocker-actuated design.
- 5 to 20 amp ratings.
- Provides circuit protection and power switching in a single unit.
- Available with optional indicator lamp.
- Snaps into the same cutout as many common power switches.
- Various color, marking and termination options.

### Technical data

Rated voltage	AC 125/250V DC 50V
Rated current	5~20 A
Interrupt Capacity	1000A 250V (UL1077)
Dielectric strength	AC 1500V (1min)
Insulation resistance	≥ 100 MΩ, 500VDC
Resettable Overload Capacity	Ten times rated current
Switch Endurance Cycling	Over 6,000 operations at rating current
Weight:	Approx 9.5g

### Time vs. Current Trip Curve@+25°C



### Approval

Approval & File No.	Rated current range	Rated voltage
UL\cUL E95802	3-20 A	125/250VAC 50VDC
CCC 2003010307097858	4-15 A	125/250VAC

### Typical Resistance vs. Current Rating @ +25°C

Current Rating in Amps	Typical Resistance in Ohms	Current Rating in Amps	Typical Resistance in Ohms
5.0	0.05	13.0	0.020
7.0	0.036	15.0	0.017
10.0	0.025	20.0	0.0125
12.0	0.022		

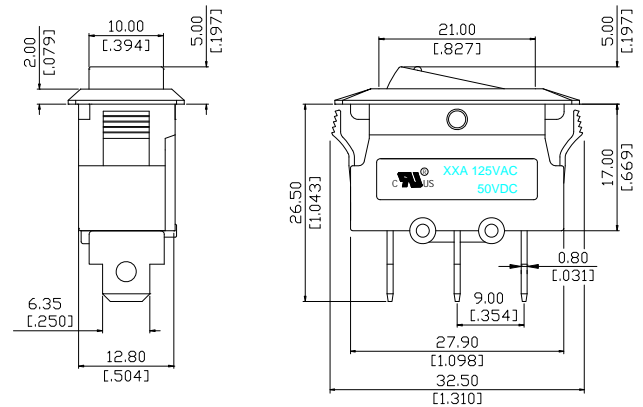
### Mechanical/Environmental Data

Operating Temperature Range: -10 °C to +50 °C.

Termination: 250"(6.35 mm) quick connects or solder terminals

Mounting: Snaps into 1.122" x .531" (28.5 X 13.5) panel cutout .

### Outline Dimensions

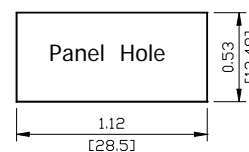


### Ambient Compensation Table

Ambient Temperature In °C	Rating Correction Factor	
	5-6A Models	7-20A Models
10	.80	.80
20	.90	.90
25	1.00	1.00
30	1.10	1.05
40	1.25	1.15
50	1.61	1.25

The unit is calibrated for an ambient temperature of +25°C. To determine the rated current for a lower or higher ambient temperature, use a correction factor to the left.

### Recommended Panel Cutout



Panel thickness

M2 series circuit breakers accommodate panel thickness from 0.03 in. to 0.118 in. (0.75mm-3.0mm)

## Ordering Information

Typical Part No. ▶

M2R 15- A 1 1 1 1 1

### 1. Model NO:

M2R= Non Illuminated M2RL=Illuminated M2P =Push to reset

### 2. Specify Amp Rating:

03=3A 04=4A 05=5A 06=6A --- 16=16A 20=20A

### 3. Voltage:

A=125AVC/50VDC B=250VAC/50VDC

### 4. Terminals:

1=A Type 2=B Type 3=C Type 4=D Type 5=E Type 6=F Type 7=G Type

8=H Type A=I Type

### 5. Base Color:

1=Black 2=White 3=Gray 4=Ivory 5=Blue

### 6. Rocker Color:

6.1 Clear color 1=Amber 2=Red 3=Green 8=Blue

6.2 Opaque color 4=White 5=Black 6=Red 7=Gray

### 7. Marking:

0=No marking 3=RESET/OFF molded 4=RESET/OFF printed 6= RESET/OFF with point printed

### 8. Rocker Type:

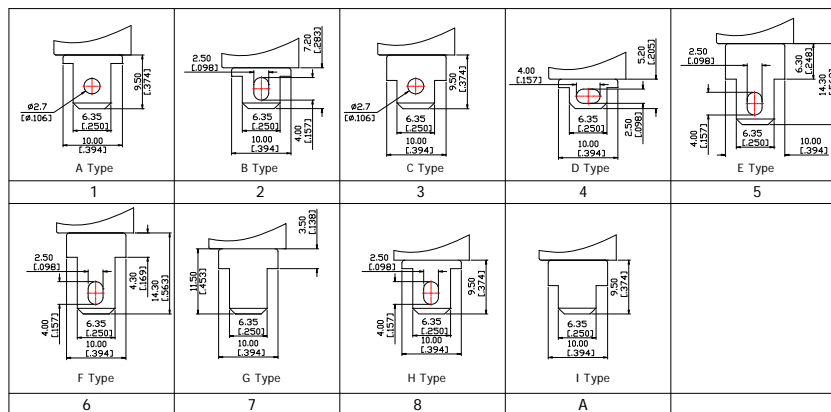
1 = OverSize M2O-C 2 = OverSize M2O-B 3 = OverSize M2O-D 4 = OverSize M2O-E 5 = OverSize M2O-F

6 = OverSize M2O-G 7 = OverSize M2O-H

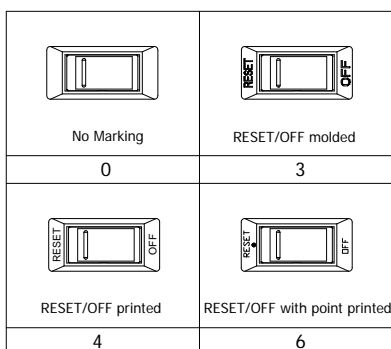
## Ordering Note:

Some option illustrated below are not listed in the "Ordering Information" chart above. Options denoted by "Special Order" in their descriptions are only offered on a special order basis. Other base and button colors and intermediate amp ratings are also available on a special order basis. Due to ongoing technological advances, consult factory for certification specifics.

## Terminal Types:



## Marking Types:



## OverSize Types:

