

MA&MB Series Multiple Patent Push to Reset Fuseholder - Type Thermal Circuit Breaker

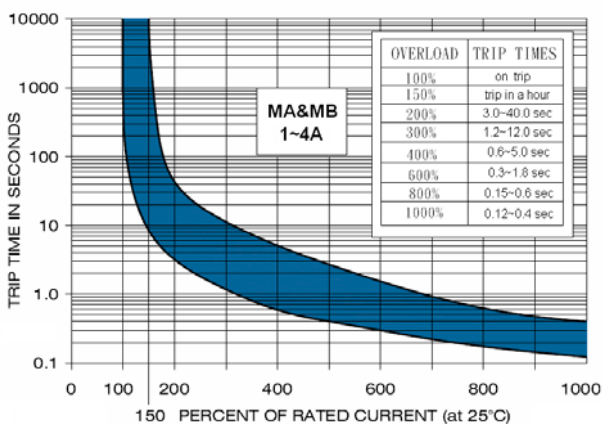
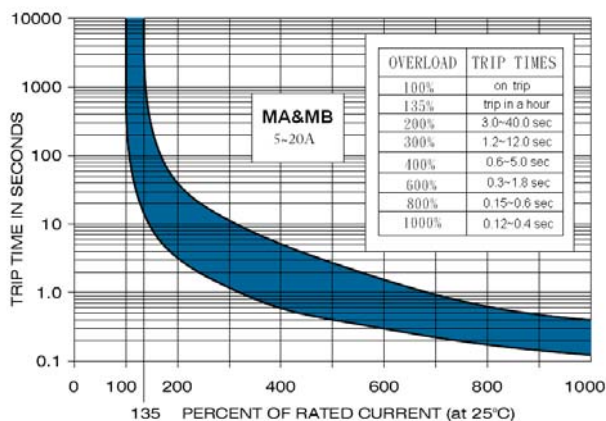
Features

- New compact push to reset design.
- 1 to 20 amp ratings.
- Replaces slow blow glass cartridge fuse.
- Labor-saving snap-in mounting.
- Various color, marking and termination options.

Technical data

Rated voltage	AC 125/250V
Rated current	1-20 A
Interrupt Capacity	1000A
Dielectric strength	1500VAC/1min
Insulation resistance	$\geq 100 M\Omega$, 500VDC
Resettable Overload Capacity	Six times rated current (1-20A)
Switch Endurance Cycling	Over 6,000 operations at rating current
Weight	MA(Approx 6.4g) ;MB(Approx 7.8g)

Time vs. Current Trip Curve @ +25°C



Approval

Approval & File No.	Rated current range	Rated voltage
cUL	1-20 A	125/250VAC
CCC	1-15 A 16-20A	125/250VAC 125VAC

Typical Resistance vs. Current Rating @ +25°C

Current Rating in Amps	Typical Resistance in Ohms	Current Rating in Amps	Typical Resistance in Ohms
1.0	0.450	9.0	0.028
2.0	0.200	10.0	0.025
3.0	0.100	11.0	0.023
4.0	0.060	12.0	0.021
5.0	0.050	13.0	0.019
6.0	0.042	14.0	0.018
7.0	0.036	15.0	0.017
8.0	0.032	16.0	0.016

Mechanical/Environmental Data

Operating Temperature Range: -10 °C to +50 °C.

Termination: 250"(6.35 mm) quick connects or solder terminals

Mounting: Various options. See Ordering Information and drawings

Ambient Compensation Table

Ambient Temperature In °C	Rating Correction Factor	
	1-6A Models	7-20A Models
10	.80	.80
20	.90	.90
25	1.00	1.00
30	1.10	1.05
40	1.25	1.15
50	1.61	1.25
60	2.15	1.40

The unit is calibrated for ambient temperature of +25°C. To determine the rated current for a lower or higher ambient temperature, use correction factor as above.

Ordering Information:

Typical part No. ▶

MA 05 2 1 1 1

1. Series types:

MA—No flanks, for the head bolts, for the handspike roundness

MB—separate flank, square head, square handspike

2. Rating:

01=1A **02**=2A ... **20**=20A

3. Voltage:

A—125VAC (16~20A) **B**—125/250VAC (1~15A)

4. Handspike types (as attached drawing 1):

1—white handspike with blank button (no printing); **2**—white handspike with blank button (printing Vertical); **3**—white handspike with blank button (printing Horizontal)

5. Terminal types (as attached drawing 2):

1—A Type **2**—B Type **3**—C Type

6. Flank types (as attached drawing 3):

1—no flank **2**—large flank

Ordering Note:

Some option illustrated below may be not listed in the "Ordering Information" chart above. Other base and cover colors and terminal type are also available on a special order basis. Due to ongoing technological advances, We will change this ordering information at fact.

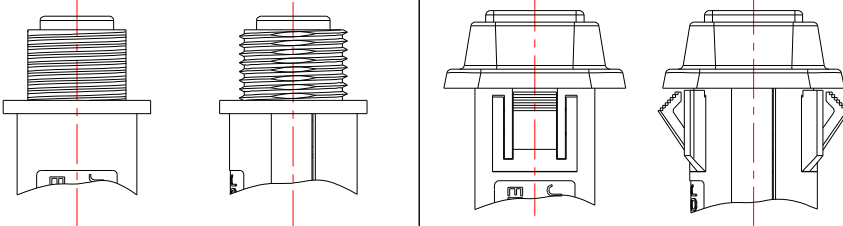
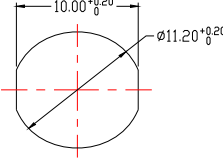
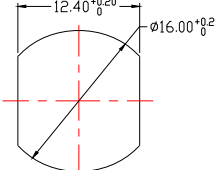
	MAXXXXX	MBXXXXX	MAXXXXX	MBXXXXX	MAXXXXX	MBXXXXX
Handspike types						
	no printing		printing Vertical		printing Horizontal	

(attached drawing 1)

	A Type	B Type	C Type
Terminal types			
No	1	2	3

(attached drawing 2)

(attached drawing 3)

Flank types		
	<p>MAXXXX1 (no flank)</p> <p>MBXXX2 (large flank)</p>	
Recommended panel cutouts		
	<p>MAXXXX1</p>	
		
	<p>MBXXX2</p>	